

Attaching Solar Panels to a Canvas Bimini or Dodger Using the “bolt-on” Method

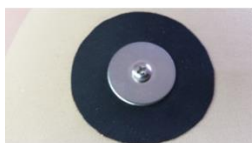
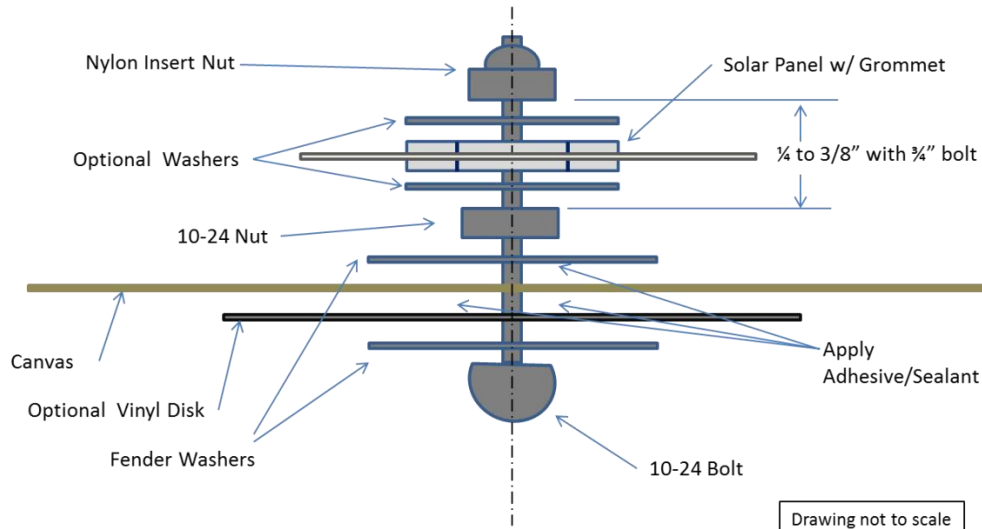
The bolt on kit contains a reinforcing vinyl disk, fender washers, washers, nuts and bolts. Refer to the diagram below to see how the components of the kit are used.

1. Place the solar panel on the canvas where it is to be mounted. Give it time to be warmed by the sun and nestle into the canvas. Be sure panels are positioned such that the wires can reach where necessary to connect to the other panels.
2. Mark each of the grommet holes on the canvas.
3. Puncture the canvas at one of the grommet locations with a hole punch or sharp object. A heated punch will fuse the Sunbrella fabric fibers together strengthening the hole area.
4. Optional – using fabric cement or silicone, adhere the reinforcing disk to the underside of the canvas aligning the canvas hole and the disk hole.
5. Place a fender washer onto the $\frac{3}{4}$ " 10-24 bolt and apply a small amount of adhesive or silicone around the bolt.
6. Insert the bolt through the disk and the canvas.
7. Apply a small amount of adhesive or silicone around the bolt sticking through the canvas and place a fender washer on the bolt.
8. Tighten a 10-24 nut on the bolt securing the canvas between the fender washers.
9. Place a small washer onto the bolt (optional)
10. Slide the panel grommet over the bolt, place a second small washer onto the bolt and secure the assembly with a Nylock nut.
11. With one grommet in place inspect the hole positions for the other grommets to be sure they are in the correct position.
12. Repeat steps 3 through 11 for each solar panel grommet.

Note: Some customers have installed insulation between the solar panel and the canvas to reduce heat on the canvas. Foil insulation available from hardware stores like Home Depot is an excellent product for this. It comes in a roll, is about 5/16" thick and is composed of a layer of foil a layer of bubble wrap type material and a layer of foil. Simply cut to size and tuck it under the solar panel.

Note: Excess wire can be tucked under the solar panel.

Flexible Solar Panel Canvas Mounting Kit Assembly



custommarineproducts.com
info@custommarineproducts.com
248 705 8337

Attaching Solar Panels to Canvas Bimini or Dodger Using the “magnet” Method

The magnet mounting kit contains 8 or 12 high power rare earth magnets and 4 or 6 pieces of double sided tape. Refer to the diagram below to see how the components of the kit are used.

Caution: The magnets are very strong and can cause personal injury. Separate the magnets by sliding them apart carefully in a shear motion. The magnets are brittle so handle them carefully.

Caution: The magnets should be at least 3 feet away from a magnetic compass to avoid interference. Observe the impact of the magnets carefully to be certain the distance is sufficient to avoid affecting the compass.

1. Attach 4 or 6 magnets to the top of the solar panel using the double-sided adhesive dots provided. Attach a magnet in each corner next to the grommets. For longer panels, attach a magnet in the middle of the panel on each side.
2. Place the solar panel on the canvas where it is to be mounted. Give it time to be warmed by the sun and nestle into the canvas. Be sure panels are positioned such that the wires can reach where necessary to connect to the other panels.
3. Attach the second set of 4 or 6 magnets to the underside of the canvas by holding the magnet in the vicinity of the upper magnet. They will find each other. If the magnets repel each other turn the magnet over. A pair of magnets are most effective if they are separated by the panel and a single layer of canvas.
4. To remove the solar panel, slide the lower magnets away from the upper magnets until the attraction force is minimized.



Flexible Solar Panel Canvas Mounting Kit Assembly

