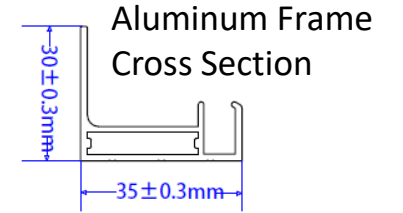
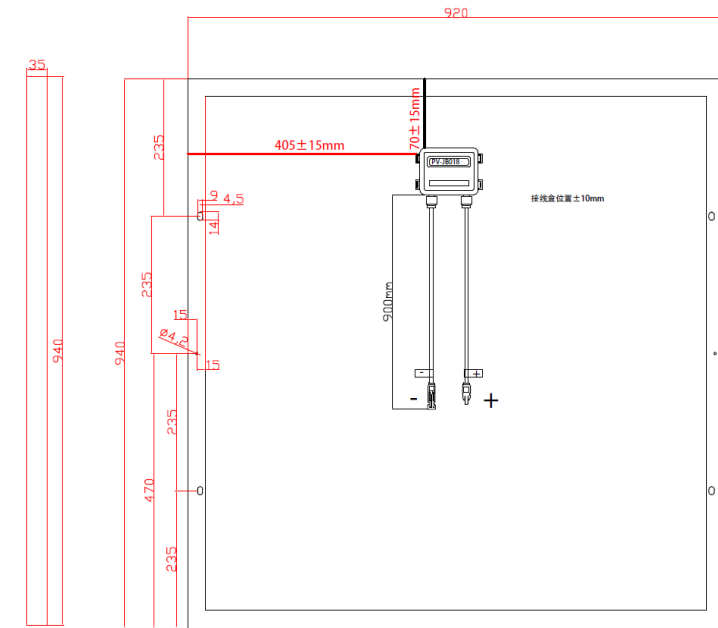
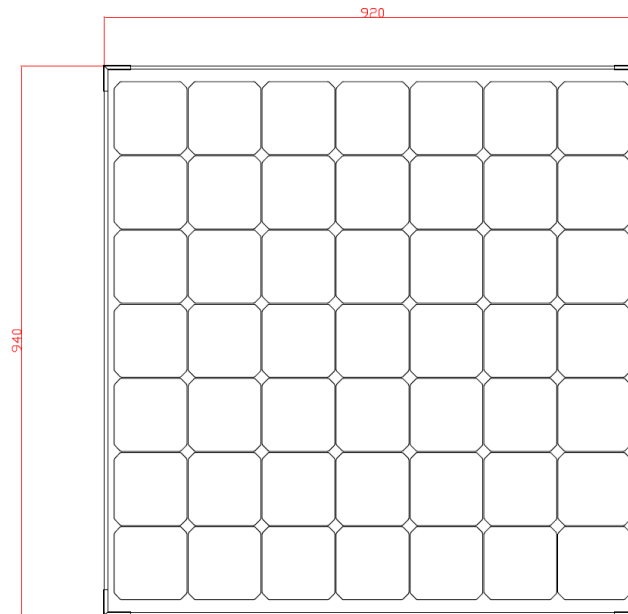




CMP22175S - 175 Watt Rigid Marine Solar Panel

Specifications:

Panel Type	Premium SunPower Monocrystalline
Rated Power	175 Watts
Cell Type	125X125 7X7
Peak Power Voltage (Vmpp)	29.4 Volts
Peak Power Amps (Impp)	5.95 Amps
Open Circuit Voltage (Voc)	34.7 Volts
Short Circuit Current (Isc)	6.43 Amps
Power Tolerance Range	+/- 3%
Cell Conversion Efficiency	23.7%
Manufacturers Warranty	5 Years
Dimensions	36.3" x 37" 920mm X 940mm
Weight	22 pounds, 10 kg
Output Connections:	MC4



Custom Marine Products

QMS, Inc.

custommarineproducts.com

info@custommarineproducts.com

248 705-8337